

FAN-FREE TOUCH SCREEN POS SYSTEM

VP5



ADVANPOS

Reliable Fan-Free Design

Fan-free design, perfect for harsh and rough industrial environments

Small Size

Compact footprint overcomes the severe space constraints of retail establishments

High Performance & Eco-Friendly

Embedded with powerful yet energy-efficient Intel Quad Core CPU

Easy Maintenance

Easy to maintain key components

VP5 Touch Screen POS System features the Intel Quad-Core CPU which delivers stable quality and fan-free operation with 3 mounting options to meet the needs of most retail, hospitality & entertainment environments. The VP5 Touch-Screen POS System is a cost-effective solution which features a smart hinge design that allows easy HDD removal and replacement making it easy to maintain and upgrade the system to future needs.

Hardware

■ Intel® Celeron® Quad-Core

VP5 Touch Screen POS System is designed to deliver quiet operations, thus reducing distractions, costs and failures. Equipped with High-performing Intel® Celeron® Processor J1900, it allows for faster operations, reliability and stable quality.



■ Innovative Hinge Design

The VP5 Touch Screen POS System features a unique and convenient way of removing and replacing the HDD for easy maintenance and upgrade. Users can simply tilt the HDD tray holder and remove the HDD after unscrewing the cover.



■ 15" TFT LCD Operator Display

VP5 Touch Screen POS System is designed to deliver quiet operations, thus reducing distractions, costs and failures. Equipped with High-performing Intel® Celeron® Processor J1900, it allows for faster operations, reliability and stable quality.



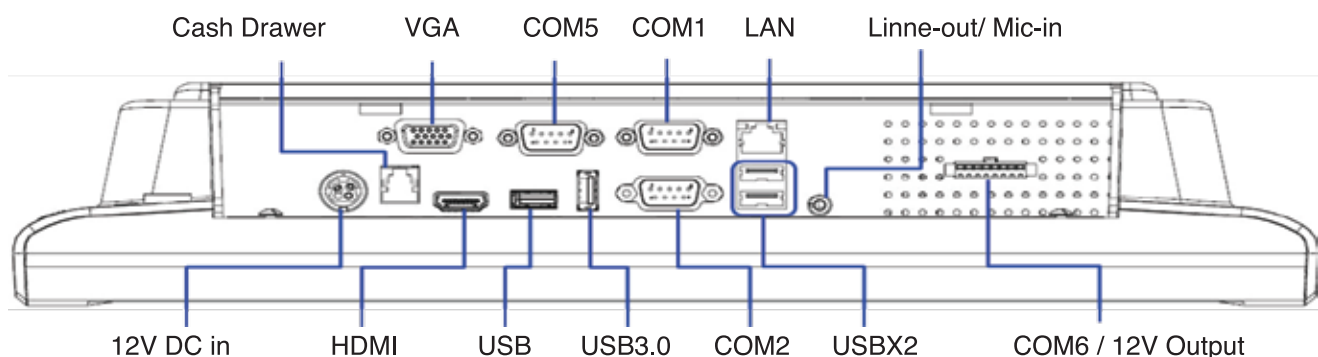
■ Modular Options

The VP5 Touch Screen POS System features a unique and convenient way of removing and replacing the HDD for easy maintenance and upgrade. Users can simply tilt the HDD tray holder and remove the HDD after unscrewing the cover.



Features	Specifications
Processor	Intel® Celeron® Processor J1900 2.0 GHz
Memory	Minimum 2 GB up to a maximum of 4GB (SO-DIMM 1 x 204 pin DDR3 LV 1333)
Storage	1 x 2.5" SATA 3 HDD Bay (320GB or more)
Operating System	No OS or Pre-Installed with Windows POSReady 7
Network	1 x RJ-45 Gigabit Ethernet (10/100/1000)
Serial Port	4 x External: COM1, COM2, COM5, COM6 (Pole - Mount VFD) 2 x Internal: COM3(T/S), COM4 (Rear - Mount VFD)
USB Ports	4 x External USB (3 x USB 2.0, 1 x USB 3.0);
Output	1 x VGA port (D-Sub 15); 1 x 1.4 a HDMI port1
Audio	1 x Line-out & 1 x Mic-in
Cash Drawer	RJ - 11 (12V, 1 Connector Control 2 Cash Drawer)
Operator Display	15" TFT LCD / 1024 x 768
Customer Display	10.1" / 12" / 15" TFT LCD (Touch/Non-Touch) or 20 x 2 VFD
Weight	Stand Base Type: Approx. 6.8 Kg
Dimensions	Stand Base Type: 380 (W) x 272 (D) x 329 (H) mm
Power Supply	60W 12 V DC Power Adapter

Connector Panel



* Features and specifications are subject to change without notice.

* Peripheral availability may vary depending on area. For details, please visit your local dealer.

* Microsoft Windows and the Windows logo are trademarks or registered trademarks of Microsoft Corporation in the United States and other countries.

* Core® is a registered trademark of Intel Corporation. See the relevant product notes for details.

* The colors of the products shown in this brochure may vary from the actual product due to the printing conditions.

* When exporting this product, follow necessary procedures such as application for export permits from the government, as stipulated in the Foreign Exchange and Foreign Trade Act. Also, follow required procedures for applicable U.S. Export Administration Regulations or other foreign government regulations.

For further information, please contact:

NEC Corporation of Malaysia Sdn Bhd
Regional Regional Retail Business Support Center (RBSC)

Suite 20.01, Level 20, The Gardens North Tower, Mid Valley City,
Lingkaran Syed Putra, 59200 Kuala Lumpur.

Tel: +603-2299 6322 | Fax: +603-2299 6323 | Email: inquiry@necmalaysia.com.my | http://my.nec.com